

ITT

Wastewater

Red Jacket Water Products

1 DW Submersible
Dewatering Pump



FEATURES

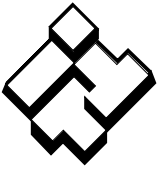
- **Impeller:** AISI 304 SS open impeller.
- **Diffuser Plate:** AISI 304 SS with Polyurethane coating for maximum resistance to abrasion.
- **Casing:** AISI 304 SS.
- **Mechanical Seal:** Silicon carbide sealing faces, all metal components of AISI type 300 stainless steel running in protected oil chamber.
- **Elastomers:** BUNA-N.
- **Shaft:** AISI type 304 stainless steel high strength pump shaft with keyed and locking cap screw impeller fastening.
- **Motor:** Air filled class F insulated design for continuous use.
- **Designed for Continuous Operation:** Pump ratings are within the motor's working limits and can be operated continuously without damage.
- **Bearings:** Upper and lower heavy duty ball bearing construction.



Red Jacket Water Products is a brand of ITT Water Technology, Inc. - a subsidiary of ITT Industries, Inc.

www.redjacketwaterproducts.com

Engineered for life



ITT

Red Jacket Water Products Wastewater

APPLICATIONS

Specifically designed for the following uses:

- Handling dirty waters
- Draining ditches and pits
- Excavating in the building trades
- Water transfer
- Industrial water drainage or transfer

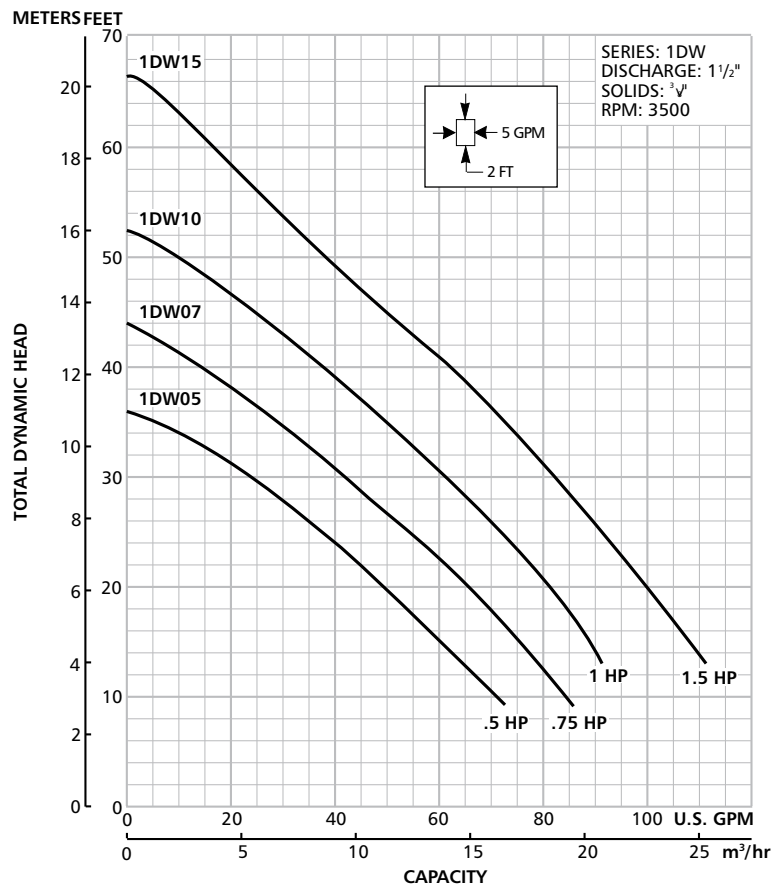
SPECIFICATIONS

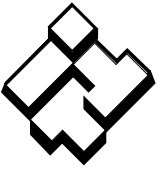
Pump:

- Discharge size: 1 1/2" NPT.
- Capacities: up to 110 GPM.
- Total heads: up to 66 feet TDH.
- Max. solids: 3/8" spherical.
- Mechanical seal: Silicon carbide rotary/silicon carbide stationary, 300 series stainless steel metal parts, BUNA-N elastomers.
- Maximum submergence: 23'.
- Temperature limit: 120°F (50°C) maximum.
- Fasteners: 300 series stainless steel.

Motor:

- Single phase: 60 Hz, 3500 RPM, 1/2 HP, 115 and 230 V; 3/4 and 1 HP, 230 V only.
- Three phase: 60 Hz, 3500 RPM, 1/2 to 1 1/2 HP, 230 or 460 V.
- Built-in thermal overload protection with automatic reset on single phase models.
- Three phase: Overload protection must be provided in starter unit with three phase pumps.
- Power cord: 20 feet long. Single phase 115 V and 230 V models are supplied with molded NEMA plugs and built-in capacitors. Three phase models are supplied with bare leads.
- Class F insulation.

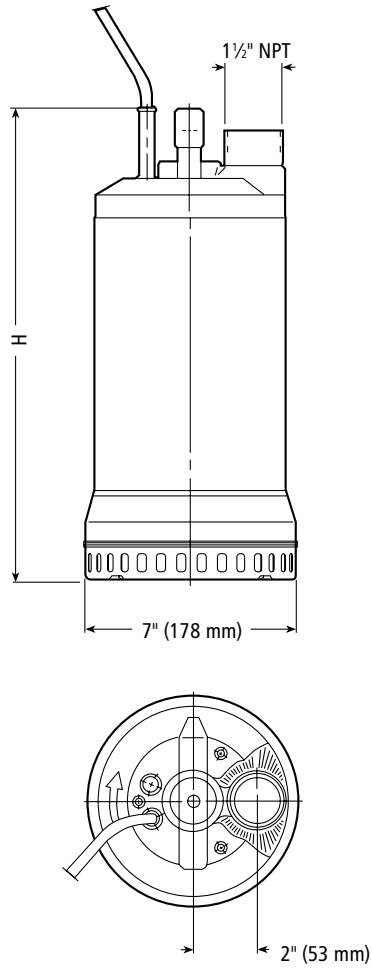




ITT

Red Jacket Water Products Wastewater

DIMENSIONS

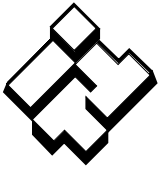


Series	HP	Phase	Dimensions in inches (mm)	Discharge Size
			H	
1DW	1/2	1	14 1/8 (363)	1 1/2"
		3	13 3/8 (348)	
	3/4	1	15 1/8 (383)	
		3	14 1/8 (363)	
	1	1	15 5/8 (403)	
		3	15 1/8 (383)	
	1 1/2	3	15 5/8 (403)	

MECHANICAL DATA

Order No.	HP	Volts	Phase	Max. Amps.	RPM	Weight (lbs.)
1DW0511	1/2	115	1	10.3	3450	29
1DW0512		230		4.5		
1DW0532		460	3	2.5		27
1DW0534				1.3		
1DW0712	3/4	230	1	5.7		32
1DW0732		460	3	3.6		29
1DW0734				1.8		
1DW1012	1	230	1	6.3		38
1DW1032		460	3	4.0	33	
1DW1034				2.0		
1DW1532	1 1/2	230	3	5.6	37	
1DW1534		460		2.7		

Component	Material
Pump body and motor casing	Stainless steel (AISI 304)
Outer sleeve	Stainless steel (AISI 304)
Impeller	Stainless steel (AISI 304)
Motor shaft	Stainless steel (AISI 304)
Suction strainer	Stainless steel (AISI 304)
Front diffuser plate	Stainless steel (AISI 304) coated with polyurethane elastomer
Lower mechanical seal	Silicon carbide/silicon carbide
Upper lip seal	Nitrile rubber
Handle	Stainless steel (AISI 304) coated with polyacetalic resin



ITT

Wastewater



Red Jacket Water Products is a licensed trademark. The ITT Engineered Blocks Symbol is a registered trademark and tradename of ITT Industries, Inc.

SPECIFICATIONS ARE SUBJECT TO CHANGE WITHOUT NOTICE.

BRJ1DW R1 March, 2006

© 2006 ITT Water Technology, Inc.

Engineered for life